



## SOUL BRONZE 3

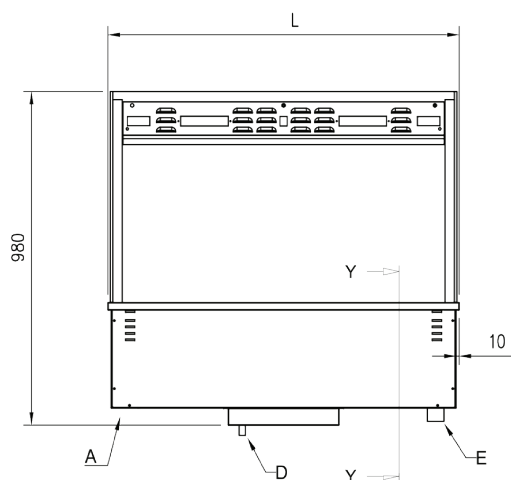
Drop in units provided with hot blown-air humidified display units for assisted service. It is suitable for the display of food for hotels, government services, catering companies, mining kitchens and buffet restaurants.

---

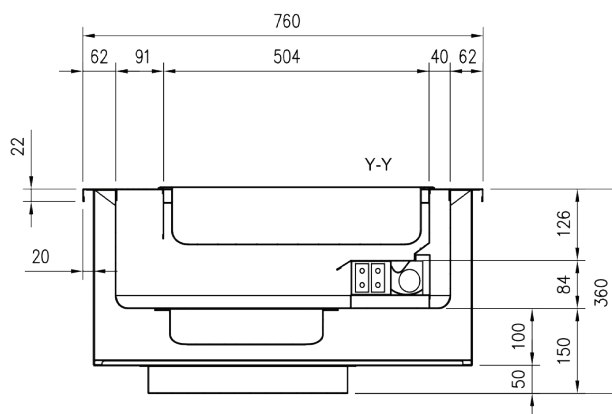
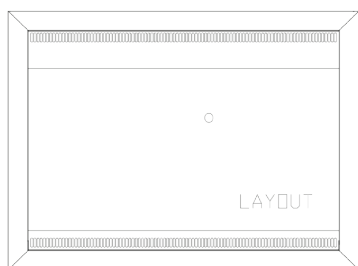
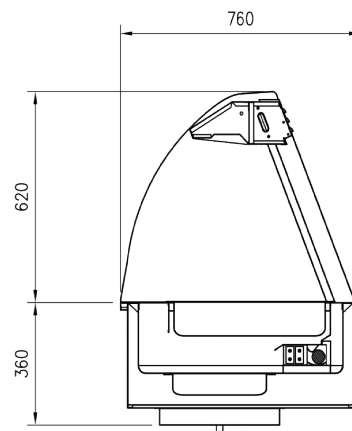
<b>NAME:</b>	SOUL BRONZE 3
<b>MODEL NO:</b>	3/1
<b>DIMENSIONS RECESSED HOLE BATHTUB:</b>	1158mm x 728mm
<b>DIMENSIONS INNER TUB:</b>	116mm
<b>STORAGE CAPACITY:</b>	3GN 1/1
<b>TEMPERATURE:</b>	+65° / +85°C
<b>CLIMATE CLASS INDEX:</b>	3
<b>HEATING BATH:</b>	750x2
<b>HEATING STRUCTURE:</b>	200x3
<b>MAX ABSORBED CURRENT:</b>	13
<b>VOLTAGE AND NET FREQUENCY:</b>	230v/50Hz

# HOT-BLOWN-AIR HUMIDIFIED DISPLAY UNITS

## SOUL BRONZE 3



GN	L
3/1	1170
4/1	1495
5/1	1820



SOUL BRONZE  
 A= ELECTRICAL CONNECTION  
 D= WATER DISCHARGE G1/2"(M)  
 E= WATER INLET G3/4"(M)

094A



Exclusive importer for Afinox

8 Guthrie Street, Osborne Park  
 Western Australia, 6017  
 Perth Australia

T: +61 08 9242 7521  
 F: +61 08 9242 7168

sales@ableproducts.com.au  
**ableproducts.com.au**